



HULTDINS
SuperSaw™

HULTDINSTM SuperSaw



Hultdins SuperSaw, high production cutting of bundles in Brazil.

When it comes to grapple saws the Hultdins SuperSaw range has been the natural choice among loggers all around the world for many years. The Super Saw cassette is best mounted on a Hultdins grapple, together they form a powerful grapple saw package that can be used for cutting, sorting and loading.

The overall goal in all forestry operations is increased efficiency. The Hultdins SuperSaw is developed to help you reach this goal. A complete line of products with high productivity combined with low down time has over the years made the Hultdins SuperSaw become the most sold grapple saw in the world.



SS350E on the Hultdins A-Grapple, an unbeatable combination in slash handling.

Hultdins SuperSaw - Flexibility in a nutshell

No grapple that works 100% in standardized assortments needs a grapple saw – but all other grapples do.

The Hultdins SuperSaw is designed to give your grapple that extra flexibility. No matter if it's about 24hrs continuous bundle cutting of eucalyptus in Brazil, weight optimization of your biomass truckload or top trimming in a tree length operation, Hultdins has a grapple saw for you.

With Technical Development, Product Performance and Quality as driving forces the Hultdins engineering department has become known for its innovation and helped customers all over the world increase their productivity. Automatic chain tensioning saves time for the operator. Combined with the proportional chain lubrication it also increases cutting performance and significantly reduces wear

on drive sprockets, nose wheels and saw chains.

Hultdins has been developing grapple saws for almost 40 years and today we have the widest product range in the world. This range of products is distributed by experienced dealers worldwide with good access to both parts and technical support. Design principles, choice of materials and the highly automated production methods are the same for our SuperSaw range as for our world leading SuperGrip grapples.

Last but not least; we are well aware of the fact that it is only your success with our product that can give us a next sale.

In nine cases out of ten: If you have the application Hultdins has the Grapple Saw!

Hulldins SuperSaw – a complete grapple saw range

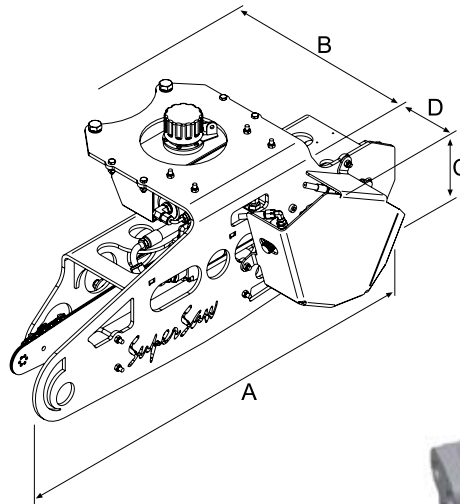
The SuperSaw range starts with the lightweight SS350E that together with the unique Hulldins A-Grapple is optimized for slash handling. It continues with on-road truck models and goes all the way to the heavy duty excavator model SS650S.

For each Hulldins grapple there is a grapple saw, and for each grapple saw there is a number of applications. Below you will find a table that shows what grapple saw fits what grapple, and also an application guide that helps you put together the right package for your specific job.

Grapple	SuperSaw 350E	SuperSaw 550	SuperSaw 555S	SuperSaw 555S-HD	SuperSaw 650S
SGII 260, -S,-R,-A	X	X			
SGII 300, -S,-R,-A	X	X			
SGII 360, -S,-R,-A	X	X	X *		
SGII 420, -S,-R,-A	X	X	X *		
GLC40		X			
GLC50		X			
SG260, -S,-R		X			
SG360, -S,-R		X	X *	X *	
SG420, -R		X			
SG520, -S,-R		X	X *	X *	X *

* Only suited for S-grapples

Application	Recommended grapple saw
Slash handling	SS350E is a light weight grapple saw mainly designed for slash handling where we recommend it is used together with the Hulldins A-grapple. The A-grapple forms the slash in a bundle like shape which makes it easier to cut. The SS350E is also available with a ¾" bar and chain.
Forwarder mounted	SS350E combined with the A-grapple is best for slash forwarding. If a stronger saw package is required the SS550 is the natural choice.
Truck mounted	SS550 is a well proven and very popular grapple saw for truck mounts. The SS550 fits every SG, SG II and GLC grapple model. Also the SS350E could in lighter applications be considered. The SS350E has excellent cutting capacity but the saw frame is lighter and not as strong as the SS550.
Stationary crane	Both the SS550 and SS555S are suitable for stationary cranes. For the tougher applications where the highest productivity is required choose the SS555S.
Cutting of bundles	For bundle cutting of for example eucalyptus we recommend the SS650S combined with the SG 520S grapple. The key to superior cutting performance with minimal down time in this type of application is the high torque 40 cc motor, a ¾" chain with automatic tensioning, high feed out force and plenty of lubrication. SS650S has 2 different sizes of oil tanks available. The heavy duty (HD) mount fits rotators with Ø 173 (M16) and Ø 203 (M20) bolt circles.
Excavator mounted	The SS555S or SS650S with the heavy duty mount on any of the above indicated S grapples does the job on an excavator. It is important to always use the heavy duty (HD) mount and an S-grapple on excavators. The HD mount fits rotators with Ø 173 (M16) and Ø 203 (M20) bolt circles.



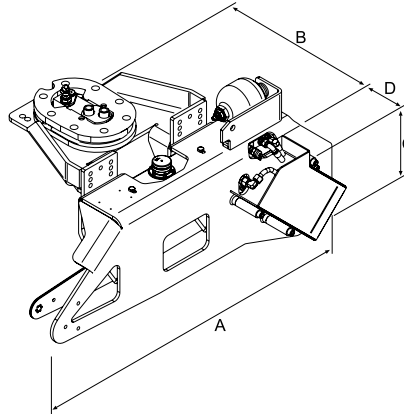
SuperCut 100

SuperSaw 350E

Features

- Light weight model suitable for handling of brushwood.
- SuperCut 100 minimizes down time and increases productivity.
- Saw unit SC100 has an inbuilt self-bleeding lube pump and proportional chain lubrication.
- Automatic chain tensioning.
- Built in bar feed cylinder with constant feed out torque.
- Integrated mounting of saw motor.
- No hoses in the saw box, chain tensioning and lube oil is swiveled through the saw motor.
- Saw motor equipped with anti-cavitation valve.
- Fast and easy saw bar and chain replacement.
- Simple adjustment of bar feed pressure and bar feed speed.
- Available with 3/4" saw bar and chain (only 19cc saw motor).
- Easy to convert from .404 to 3/4" by conversion kit.
- Simple installation on forwarder and truck.

		350E-10	350E-19
Saw motor displacement	cm ³	10	19
Weight	kg	89	94
Length "A"	mm	1017	1017
Width "B"	mm	446	446
Height "C"	mm	331	331
Width "D"	mm	121	121
Min. hydraulic pressure, saw motor	MPa	16	16
Min. hydraulic flow, saw motor	l/min	80	110
Max. saw chain speed		See recommendations from each saw chain manufacturer	
Max. power input to saw chain		See recommendations from each saw chain manufacturer	
Saw chain		.404"	.404", 3/4"
Saw bar	cm	75	75, 67
Recommended grapples		All SGI-models	



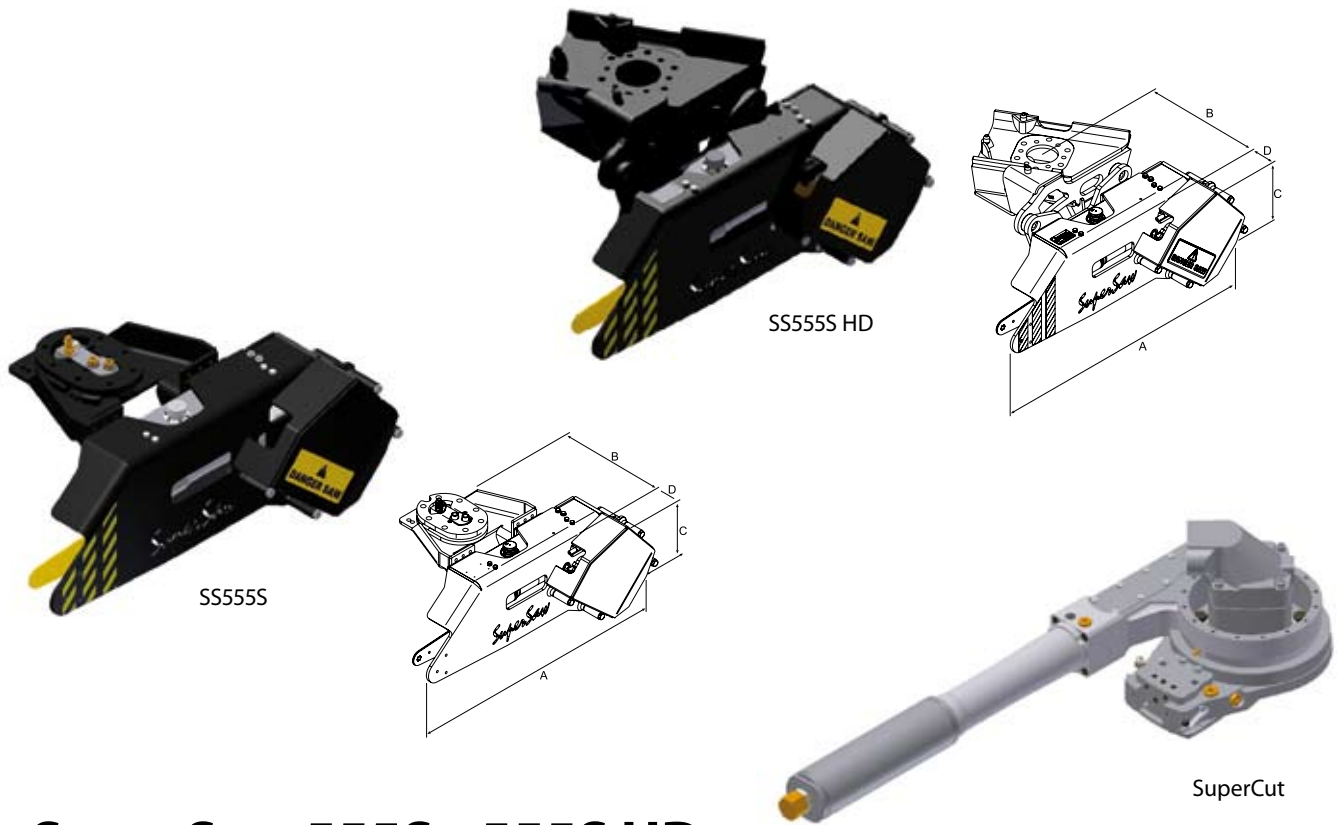
SuperCut

SuperSaw 550

Features

- Designed for optimal balance.
- Automatic chain tensioning and proportional chain lubrication.
- Fast and easy bar and chain replacement.
- SuperCut minimizes down time and increases productivity.
- Built in bar feed cylinder.
- Integrated mounting of saw motor.
- Simple installation on forwarder and truck.

		550-10	550-19
Saw motor displacement	cm³	10	19
Weight	kg	145	148
Length "A"	mm	1095	1095
Width "B"	mm	444	444
Height "C"	mm	400	400
Width "D"	mm	120	120
Min. hydraulic pressure, saw motor	MPa	16	16
Min. hydraulic flow, saw motor	l/min	80	110
Max. saw chain speed		See recommendations from each saw chain manufacturer	
Max. power input to saw chain		See recommendations from each saw chain manufacturer	
Saw chain		.404"	.404"
Saw bar	cm	90	90
Recommended grapples		All SG, SGII och GLC models	

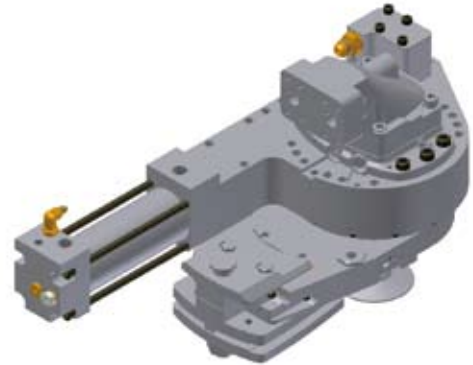
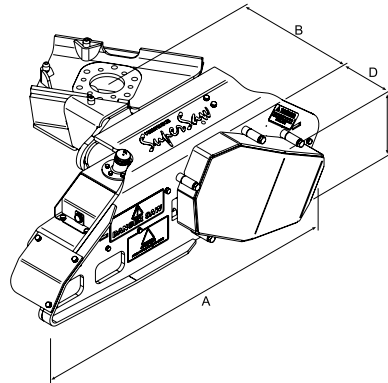


SuperSaw 555S, -555S HD

Features

- Designed for optimal balance.
- Automatic chain tensioning and proportional chain lubrication.
- Fast and easy bar and chain replacement.
- SuperCut minimizes down time and increases productivity.
- Built in bar feed cylinder.
- Integrated mounting of saw motor.
- Pressure feed out system for optimized saw performance.
- Simple adjustment of bar feed pressure.
- Simple installation on forwarder and truck (SS555S) and excavator (SS555S HD).

		555S	555S HD
Saw motor displacement	cm³	19	19
Weight	kg	195	235
Length "A"	mm	1168	1168
Width "B"	mm	376	434
Height "C"	mm	465	465
Width "D"	mm	148	148
Min. hydraulic pressure, saw motor	MPa	16	16
Min. hydraulic flow, saw motor	l/min	110	110
Max. saw chain speed		See recommendations from each saw chain manufacturer	
Max. power input to saw chain		See recommendations from each saw chain manufacturer	
Saw chain		.404"	.404"
Saw bar	cm	90	90
Recommended grapples 555S		SGII 360S, SGII 420S and SG 360S, SG 520S	
Recommended grapples 555S HD		SG360S and SG520S	



SuperCut 300

SuperSaw 650S

Features

- Designed for optimal balance.
- Saw unit SC300 has an inbuilt self-bleeding lube pump and proportional chain lubrication.
- Automatic chain tensioning.
- Fast and easy saw bar and chain replacement.
- SuperCut 300 minimizes down time and increases productivity.
- Built in bar feed cylinder with constant feed out torque.
- Integrated mounting of saw motor.
- No hoses in the saw box, chain tensioning and lube oil is swiveled through the saw motor.
- Built in anti-cavitation circuit for saw motor.
- Simple installation on excavator.

650S

Saw motor displacement	cm ³	40
Weight	kg	370
Length "A"	mm	1 397
Width "B"	mm	520
Height "C"	mm	511
Width "D"	mm	108
Min. hydraulic pressure, saw motor	MPa	20
Min. hydraulic flow, saw motor	l/min	200
Max. saw chain speed		See recommendations from each saw chain manufacturer
Max. power input to saw chain		See recommendations from each saw chain manufacturer
Saw chain		¾"
Saw bar	cm	100
Recommended grapple		SG520S

Your productivity - our driving force

Hultdin System AB is a world leading manufacturer of components to mechanized forestry. With the productivity and profitability of our customers in focus we have over the years developed a wide product range consisting of Grapples, Saw Units, Grapple Saws, Damping Systems, an Active Load Space for forwarders and a Terrain Bridge for forestry machines.



HULTDINS *SuperGrip*™

Hultdins SuperGrip is the leading cut to length grapple in the forestry business. It is available in around 20 different models and is suited for all forwarders, trucks, different types of loaders or excavators.



HULTDINS *SuperCut*™

Hultdins SuperCut is the standard saw unit in most harvester heads over the world. It is also a very suitable saw unit for felling heads or advanced fire wood processors. Hultdins offers three main types of SuperCut saw units; SC standard, SC100 and SC300. The SuperCut provides unmatched saw performance in a wide range of applications.



HULTDINS *SuperSaw*™

Hultdins SuperSaw is a complete range of saw cassettes that are best mounted on the SuperGrip grapples. Together the SuperSaw and grapple form a high productive grapple saw package. A grapple saw is a very versatile tool that can be used for cross-cutting, loading, sorting merchandising and trimming.



HULTDINS **Damping System**

Hultdins Damping System is a passive damper that is connected to the lift or swing hydraulics of the crane. It dampens vibrations and reduces pressure peaks in the system which increases productivity and operator comfort as well as it prolongs the crane life.



HULTDINS **Active Load Space**

Hultdins Active Load Space (ALS), and the smaller thinning model (ALS-T), is a variable load space for forwarders. Widening of the bunks and variable load stakes in height adapt the load area to the density of the load. That way nominal load for the machine can always be reached regardless of wood quality, this increases productivity. The load space, which is floating on dampened hydraulics, saves both the machine and its operator from vibrations and physical stress. It can also be tilted, which increases machine manoeuvrability in tight areas, and makes it possible to reposition 30-50% of the load weight between the sides - a very valuable feature on soft ground conditions.



HULTDINS **Terräng Bro 500**

HTB 500 (Hultdins Terrain Bridge 500) is a portable bridge for forestry machines. It is designed to facilitate the crossing of creeks and small streams. The bridge is carried on the forwarder load space and placed out with the crane. HTB 500 is light enough to be handled by the smallest forwarder crane, but strong enough to carry the heaviest forwarder with full load. Placing it over the creek only takes a couple of minutes. HTB 500 saves the environment as well as it shortens your forwarding distance and helps you from getting stuck.



Hultdin System AB, Skolgatan 12, SE-930 70 Malå, Sweden

Tel: 0953-418 00, Fax: 0953-418 01, E-mail: sales@hultdins.se

www.hultdins.se

Subject to change without prior notice